

GERRO™ COMBI SYSTEM

GC-KF and GC-KE

Our "fork" and "eye" connectors are now available for chain. Compatible with 6mm DIN766 shortlink chain.

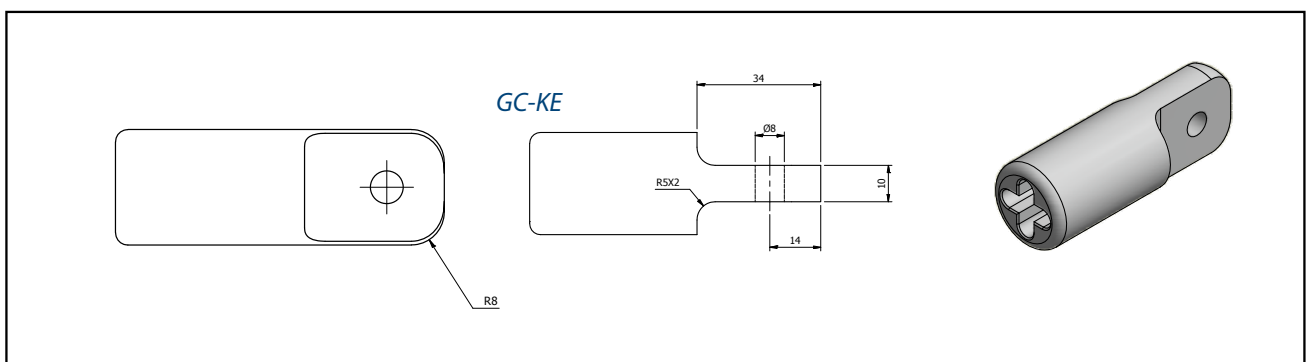
Use the same die as for the TCK-ferrule to swage GC-KF and GC-KE.



GC-KF



GC-KE



Aluminium		
Art no.	Max load approx	Required pressure
GC-KF	10kN	500kN
GC-KE	10kN	500kN